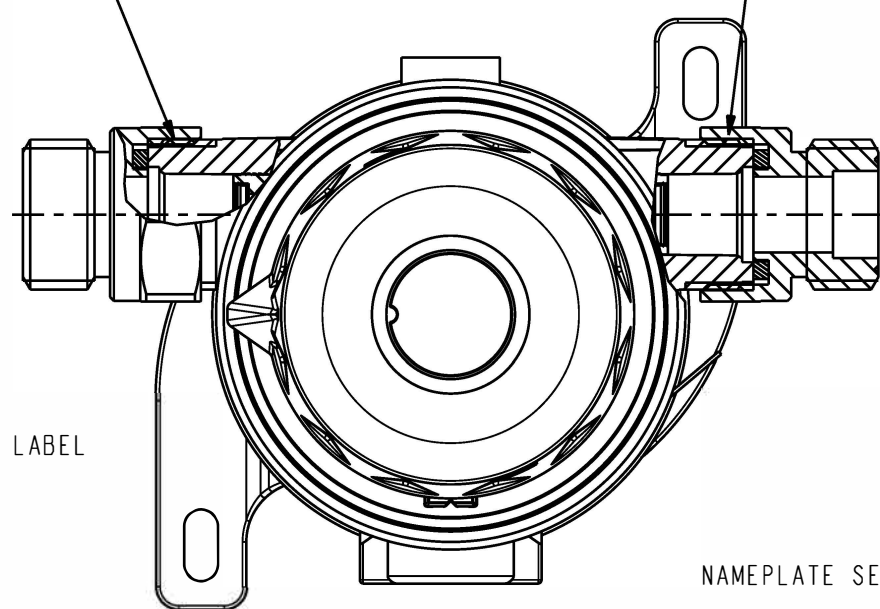


LOCTITE 638

LOCTITE 638



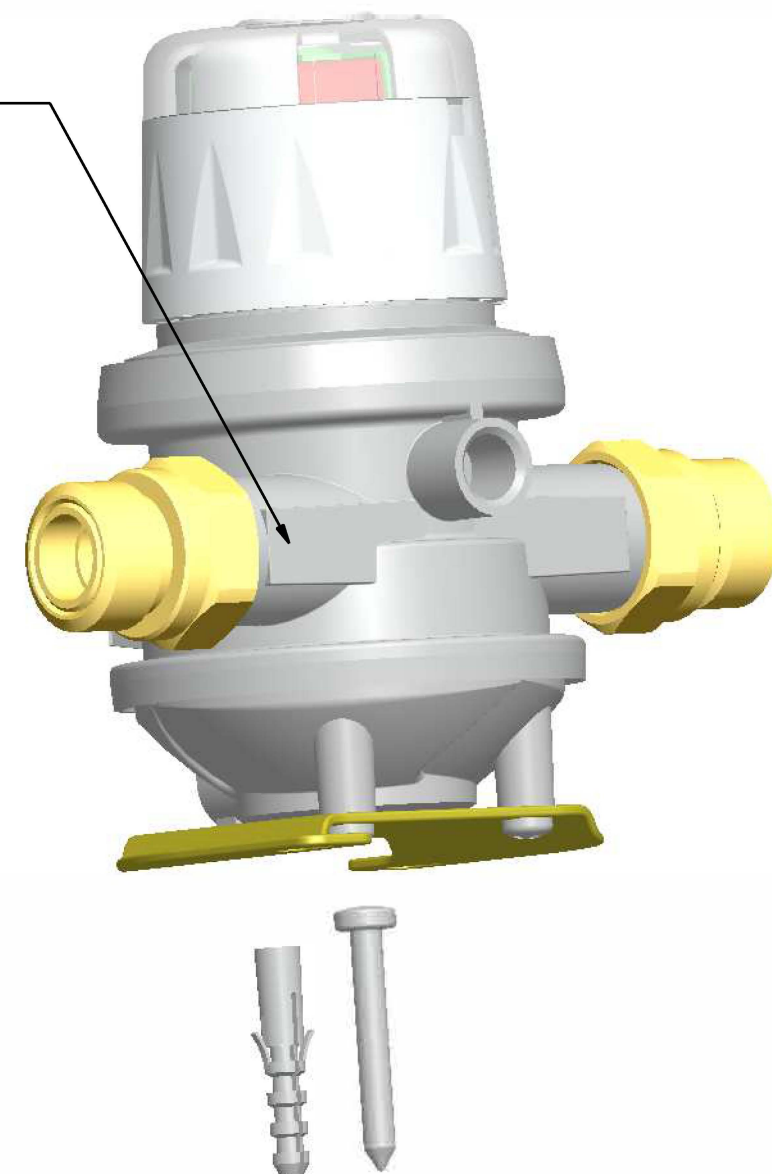
SELF ADHESIVE LABEL




NAMEPLATE SELF ADHESIVE

Pal 0.7-16 bar - LPG 29mbar - 3 Kg/h PRV
CE-0085BU0068
EN12864 and En13786

TO STAMP A PROGRESSIVE NUMBER
OF WEEK AND YEAR OF PRODUCTION
TEXT HEIGHT 2.5 mm MIN



NO	NO PRODUCT	DENOMINATION	Q.TY
1	52-1-950-0036	S/A CHANGEOVER DOUBLE STAGE	1
2	16-1-950-0155	S/I RACCORDO	2
3	17-1-110-0100	DOUBLE STAGE FIXING BRACKET	1
4	14-1-110-0002	VITE AUTOFILETTANTE	2
5	34-1-110-0793	ISTRUZIONE FOR TYPE 924N (ITALIAN/GREECE)	1
6	30-1-950-0002	FISHER S/A	1
7	23-1-210-0637	SINGLE BOX FOR TYPE 528	1
8	23-1-510-0004	STANDARD BOX (R9)	1

	DENOMINATION		KIT COMPACT RV CHANGEOVER / REGULATOR		LPG	29 mbar	3 kg/h
	MODEL	ORIFICE	INLET	OUTLET	SHARED	PROD. INT. GROUP	
RECA	528	N.A.	W20X1/14" L.H.	Rp 3/8" FEMALE	N.A.	-	
PERFORMANCE DOC.	COUNTRY	COUNTRY SPECIFIC	WEIGHT	SCALE	MODIFY FILE	PRODUCT NO	REV
N.A.	ITALY	N.A.	N.A.	1:1	DM05097	52-1-890-0070	1
PROD. EVOLUTION	PROJECT NO	RELEASE LEVEL	DRAWN BY	VERIFIED BY	APPROVED BY	DATE	
DEFINITIVE	DS04823	APPROVED+	SCARPELLA A.	TOMASELLI L.	SCHLICK B.	26/09/14	