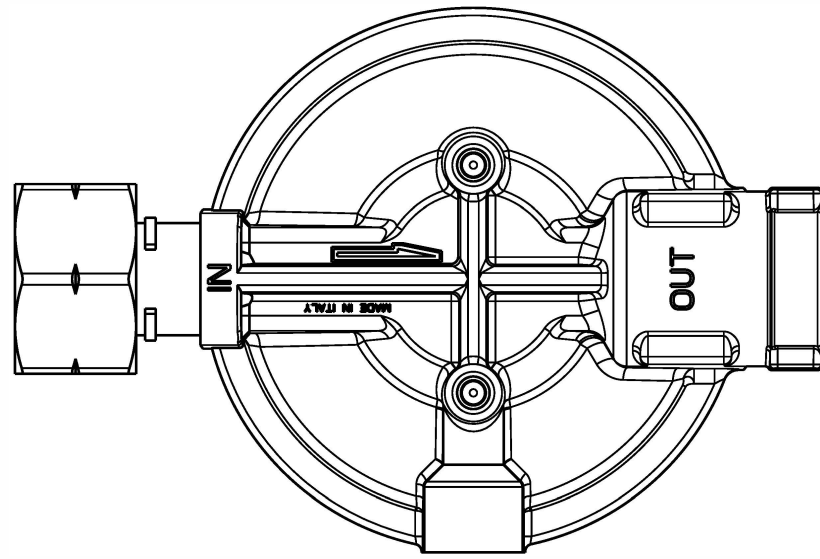
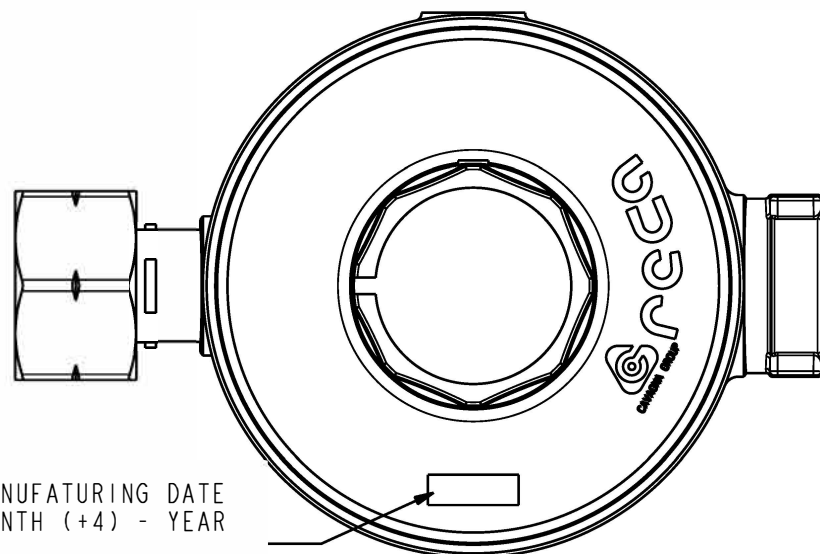
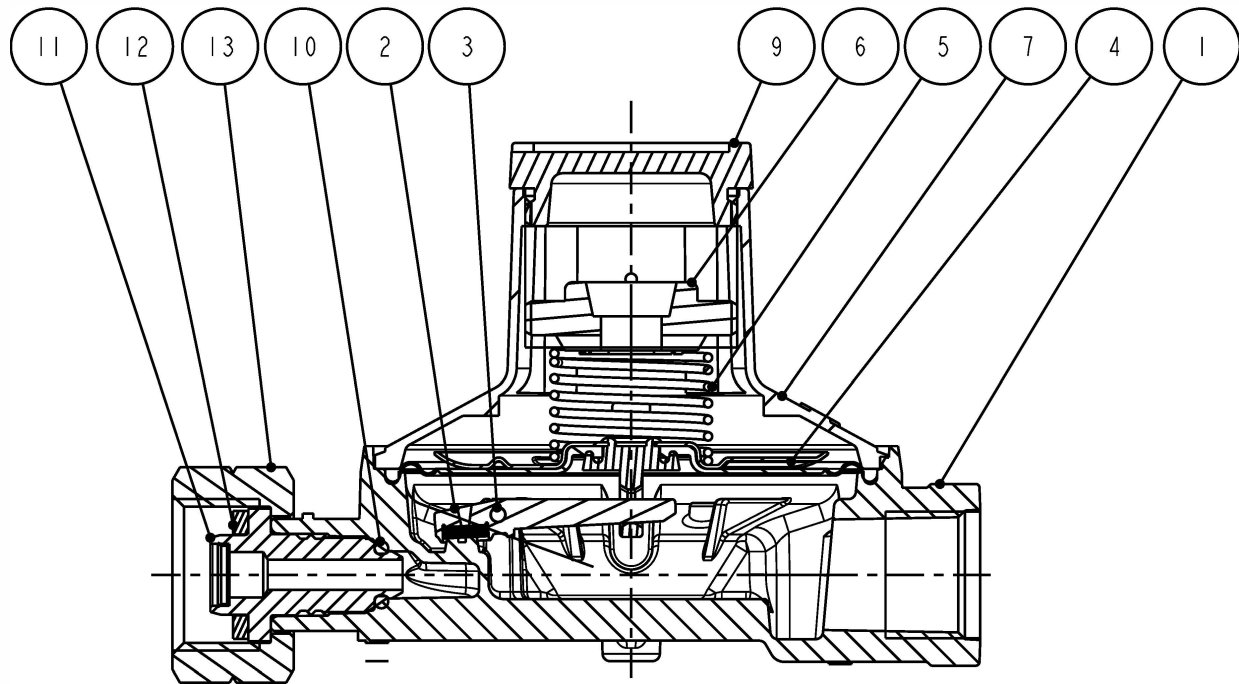
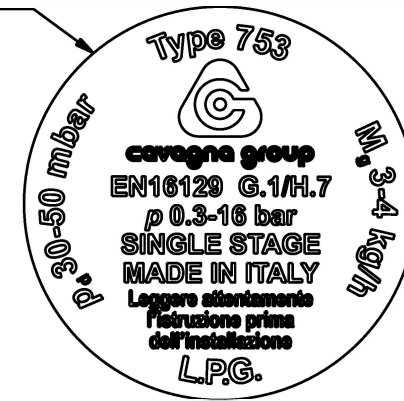


This drawing may not be copied or distributed in any way without the written permission of Cavagna Group Div. RE.CA. Via Matteotti, 5 - Calvisano - BS - Italy



INK STAMP



MANUFACTURING DATE
MONTH (+4) - YEAR

By **FERRARI**
Components & tools

NO	NO PRODUCT	DENOMINATION	Q.TY
1	00-1-022-1570	BODY TYPE 75 - BROACHED Ø 14.8 - Rp 3/8 MACHINED	1
2	02-1-950-0016	S/I LEVETTA ZAMA - PASTICCA VITON	1
3	05-1-110-0001	STANDARD LEVER PIN	1
4	09-1-950-0027	S/A DIAPHRAGM STANDARD	1
5	07-1-110-0140	MOLLA DI TARATURA 40 mbar	1
6	08-1-110-0032	PREMIMOLLA	1
7	01-1-150-0084	COPERCHIO SEMIREGOLABILE	1
8	24-1-110-0001	WHITE ALUMINIUM RAL 9006	1
9	19-1-110-2052	TAPPO MOD.75 STANDARD	1
10	04-1-110-0502	O RING	1
11	16-1-950-0092	S/I RACCORDO BROCCIATO	1
12	04-1-110-0007	SEALING WASHER	1
13	10-1-110-0005	UNION NUT - W 20 X 1/14" GI-EN 12864	1
14	18-1-310-0823	INK STAMP FOR TYPE 753	1
15	34-1-110-0376	INSTRUCTION FOR TYPE 753 (IT-GR) EN16129	1
16	23-1-021-0044	IMBALLO STANDARD IN ROTOLI (FILM)	1
17	23-1-510-0024	STANDARD BOX (R52)	1

	DENOMINATION		SINGLE STAGE ADJUSTABLE REGULATOR				LPG 30-50 mbar 3-4 kg/h					
	RECA		N.A.									
MODEL	753	ORIFICE	2.3	INLET	W20X1/14" L.H.	OUTLET	G 3/8 FEMALE	SHARED	N.A.	PROD. INT GROUP	-	
PERFORMANCE DOC.	798	COUNTRY	ITALY	COUNTRY SPECIFIC	EN16129	WEIGHT	-	SCALE	1:1	MODIFY FILE	DM05423	
PROD. EVOLUTION	DEFINITIVE	PROJECT NO	N.A.	RELEASE LEVEL	APPROVED+	DRAWN BY	RUSSO R.	VERIFIED BY	TOMASELLI L.	APPROVED BY	SCHLICK B.	
										DATE	09/03/16	
										75-1-390-0007		12